



Leap™ | K-28529

One-piece elongated smart toilet, dual-flush

Features

- Slim, contemporary one-piece smart toilet with integrated personal cleansing
- Elongated bowl offers added room and comfort
- Comfort Height® feature offers chair-height seating that makes sitting down and standing up easier for most adults
- Designed to support easier transfers from wheelchair
- Dual-flush offers a choice of 1.0 or 1.28 gpf (3.4 or 4.8 lpf)
- Fully skirted trapway simplifies cleaning
- Easy installation system provides a simple solution for skirted toilets
- Quiet-Close™ elongated lid and seat prevents slamming
- Stainless steel wand offers adjustable spray shape, position, water pressure, temperature, pulsate, and oscillate functions
- Self-cleaning function uses UV light to automatically clean the wand surfaces
- Motion-activated, hands-free opening/closing of cover
- Heated seat with adjustable temperature settings
- Warm-air drying system
- Automatic deodorization system
- Sleek, handheld remote control
- Emergency flush supports up to 100 flushes during power outage with simple touch-button activation
- Energy Save feature monitors usage and adjusts heated seat settings to save energy
- Automatic flushing after every use; flush can also be controlled by the remote control or backup button



Sustainability



Available Colors/Finishes

Color tiles intended for reference only.

- 0 White
- NY Dune



1-800-4KOHLER (1-800-456-4537)
Kohler Co. reserves the right to make revisions without notice to product specifications.
For the most current specification sheet, go to www.kohler.com USA or www.kohler.ca Canada.
5-7-2026 10:1 - US-CA

THE BOLD LOOK
OF **KOHLER**

Codes/Standards

ADA, OBC, CSA B651 compliant when installed to the specific requirements of these regulations.
 Accessibility standards may require controls to be located on the open side of the toilet.
 Plumbing codes may require elongated toilets and elongated, open-front seats in public bathrooms.



ADA CSA B651 OBC

- ASME A112.4.2/CSA B45.16
- ASME A112.19.2/CSA B45.1
- ASME A112.19.14
- DOE - Energy Policy Act 1992
- EPA WaterSense®
- California Energy Commission (CEC)
- UL 1951
- CSA C22.2 No. 14
- CSA C22.2 No. 68
- ADA
- ICC/ANSI A117.1
- CSA B651
- OBC
- cUL Listed
- UL Listed

Technical Information

Rough-in:	Standard 12" (305mm)
Flush Type:	Power
Flush Rate:	1.0 or 1.28 gpf (3.3 or 4.8 lpf)
Bowl Shape:	Elongated
Waste Outlet:	Floor
Trapway Size:	2" (51 mm)
Trapway Type:	Skirted
Rim to Water Surface:	5-3/4" (146 mm)

Required Electrical Service

One dedicated circuit required, protected with Class A Ground-Fault Circuit-Interrupter (GFCI). Outside North America, this device may be known as a Residual Current Device (RCD).

120 V, 15 A, 60 Hz

Electrical Component Ratings

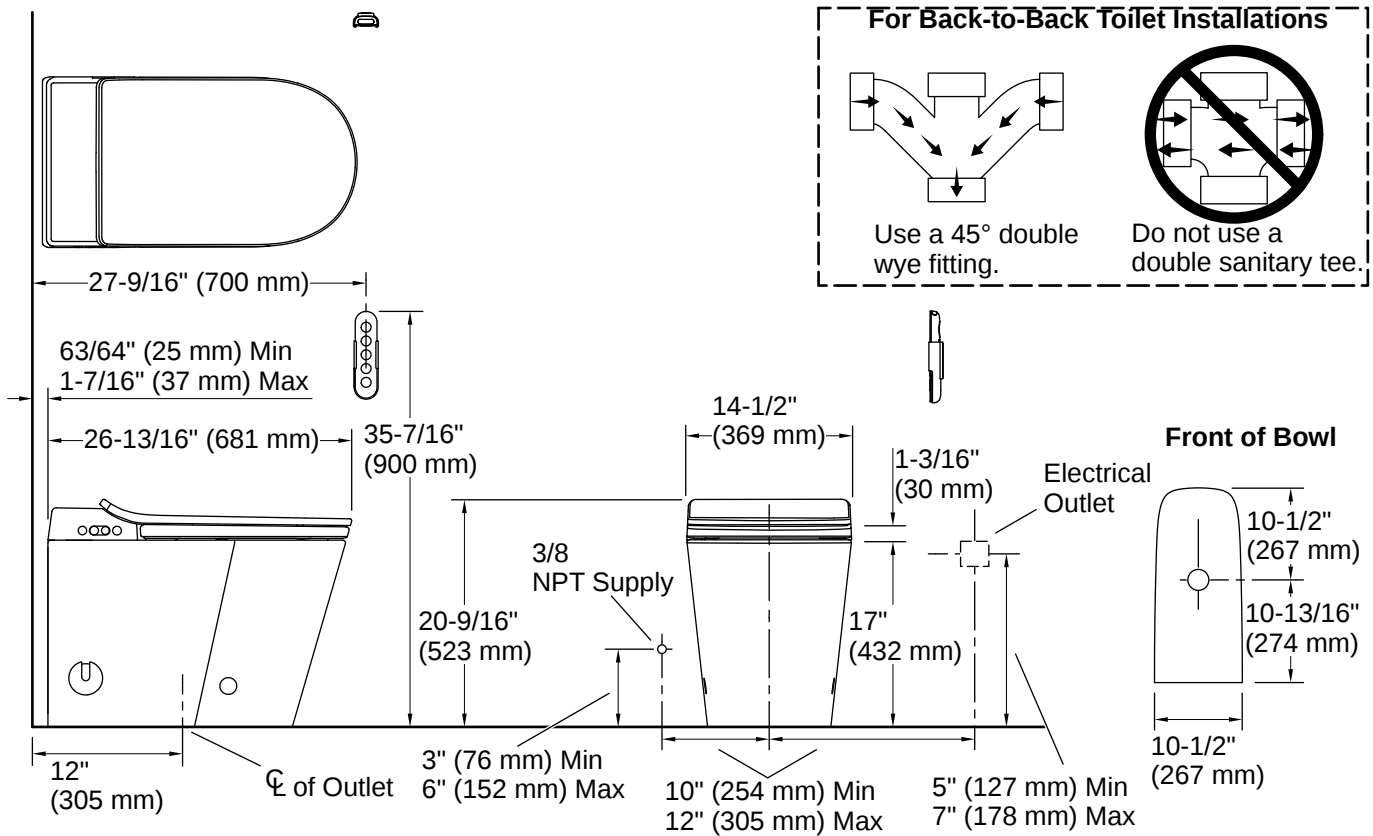
Power Cord Length: 35" (889 mm)

Warranty

See website for detailed warranty information.

KOHLER® Intelligent Toilet and C3® Cleansing Seat Three-Year Limited Warranty





Installation

- Standard 12" (305 mm) rough-in
- Requires dedicated electrical GFCI circuit (120 V, 15 A, 60 Hz)

Installation Notes

Install this product according to the installation instructions.

IMPORTANT! Use the supply hoses provided with the fixture. Do not reuse the previously installed hoses.

Product dimensions are nominal and may vary per ASME A112.19.2 tolerances.

ADA, OBC, CSA B651 compliant when installed to the specific requirements of these regulations.

Plumbing codes may require elongated toilets and elongated, open-front seats in public bathrooms.

Accessibility standards may require controls to be located on the open side of the toilet.

